

事務連絡
平成 22 年 6 月 4 日

各都道府県衛生主管部（局）
薬務主管課 御中

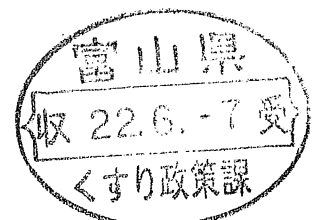
厚生労働省医薬食品局審査管理課

日本薬局方における国際調和について

近年、優れた新医薬品の地球規模での研究開発の促進と患者への迅速な提供を図るため、承認申請資料等の国際的ハーモナイゼーション推進の必要性から薬局方の試験法については、薬局方検討会議（PDG）において、日本薬局方、欧州薬局方及び米国薬局方（以下、「三薬局方」という。）間の国際調和の推進が図られているところです。また、日米 EU 医薬品規制調和国際会議（以下、「ICH」という。）が組織され、品質、安全性及び有効性の各分野でのハーモナイゼーションの促進を図るための活動も行われています。

今般、第十五改正日本薬局方第二追補一般試験法 3.01 かさ密度及びタップ密度測定法、3.02 比表面積測定法及び 3.04 粒度測定法について、三薬局方間で調和合意がなされましたので、別添のとおり当該英語文を御連絡いたします。

なお、日米 EU の規制当局間における相互受け入れについては、ICHQ4B 専門家会合において検討が進められているところです。



3.01 Determination of Bulk and Tapped Densities

Change to read:

This determination is harmonized with the European Pharmacopoeia and the U.S. Pharmacopeia. The parts of the text that are not harmonized are marked with symbols (♦ ♦).

♦Determination of Bulk and Tapped Densities is a method to determine the bulk densities of powdered drugs under loose and tapped packing conditions respectively. Loose packing is defined as the state obtained by pouring a powder sample into a vessel without any consolidation, and tapped packing is defined as the state obtained when the vessel containing the powder sample is to be repeatedly dropped a specified distance at a constant drop rate until the apparent volume of sample in the vessel becomes almost constant.♦

Bulk density

The bulk density of a powder is the ratio of the mass of an untapped powder sample and its volume including the contribution of the interparticulate void volume. Hence, the bulk density depends on both the density of powder particles and the spatial arrangement of particles in the powder bed. The bulk density is expressed in grams per milliliter (g/mL) although the international unit is kilogram per cubic meter ($1 \text{ g/mL} = 1000 \text{ kg/m}^3$) because the measurements are made using cylinders. It may also be expressed in grams per cubic centimeter (g/cm^3).

The bulking properties of a powder are dependent upon the preparation, treatment and storage of the sample, i.e. how it was handled. The particles can be packed to have a range of bulk densities and, moreover, the slightest disturbance of the powder bed may result in a changed bulk density. Thus, the bulk density of a powder is often very difficult to measure with good reproducibility and, in reporting the results, it is essential to specify how the determination was made.

The bulk density of a powder is determined by measuring the volume of a known mass of powder sample, that may have been passed through a screen, into a graduated cylinder (Method 1), or by measuring the mass of a known volume of powder that has been passed through a volumeter into a cup (Method 2) or a measuring vessel (Method 3). Method 1 and Method 3 are favoured.

Method 1: Measurement in a Graduated Cylinder

Procedure

Pass a quantity of powder sufficient to complete the test through a sieve with apertures greater than or equal to 1.0 mm, if necessary, to break up agglomerates that may have formed during storage; this must be done gently to avoid changing the nature of the material. Into a dry graduated cylinder of 250 mL (readable to 2 mL), gently introduce, without compacting, approximately 100 g of the test sample (m) weighed with 0.1 per cent accuracy. Carefully level the powder without compacting, if necessary, and read the unsettled apparent volume (V_0) to the

nearest graduated unit. Calculate the bulk density in g per mL by the formula m/V_0 . Generally, replicate determinations are desirable for the determination of this property.

If the powder density is too low or too high, such that the test sample has an untapped apparent volume of either more than 250 mL or less than 150 mL, it is not possible to use 100 g of powder sample. Therefore, a different amount of powder has to be selected as test sample, such that its untapped apparent volume is 150 mL to 250 mL (apparent volume greater than or equal to 60 per cent of the total volume of the cylinder); the mass of the test sample is specified in the expression of results.

For test samples having an apparent volume between 50 mL and 100 mL, a 100 mL cylinder readable to 1 mL can be used; the volume of the cylinder is specified in the expression of results.

Method 2: Measurement in a Volumeter

Apparatus

The apparatus⁽¹⁾ (Fig. 3.01-1) consists of a top funnel fitted with a 1.0 mm sieve. The funnel is mounted over a baffle box containing four glass baffle plates over which the powder slides and bounces as it passes. At the bottom of the baffle box is a funnel that collects the powder and allows it to pour into a cup mounted directly below it. The cup may be cylindrical ($25.00 \pm 0.05 \text{ mL}$ volume with an inside diameter of $30.00 \pm 2.00 \text{ mm}$) or a square ($16.39 \pm 2.00 \text{ mL}$ volume with inside dimensions of $25.4 \pm 0.076 \text{ mm}$).

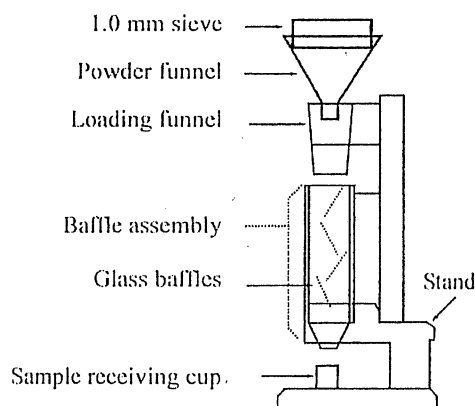


Fig. 3.01-1 Volumeter

Procedure

Allow an excess of powder to flow through the apparatus into the sample receiving cup until it overflows, using a minimum of 25 cm^3 of powder with the square cup and 35 cm^3 of powder with the cylindrical cup. Carefully, scrape excess powder from the top of the cup by smoothly moving the edge of the blade of spatula perpendicular to and in contact with the top surface of the cup, taking care to keep the spatula perpendicular to prevent packing or removal of powder from the cup. Remove any material from the side of the cup and determine the mass (m) of the powder to the nearest 0.1 per cent. Calculate the bulk density in g per mL by the formula m/V_0 in which V_0 is the volume of the cup and record the average of 3 determinations

using 3 different powder samples.

(1) The apparatus (the Scott Volumeter) conforms to the dimensions in ASTM 329 90.

Method 3: Measurement in a Vessel

Apparatus

The apparatus consists of a 100 mL cylindrical vessel of stainless steel with dimensions as specified in Fig. 3.01-2.

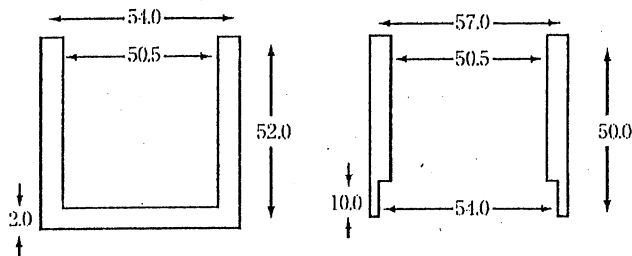


Fig. 3.01-2. Measuring vessel (left) and cap (right)
Dimensions in mm

Procedure

Pass a quantity of powder sufficient to complete the test through a 1.0 mm sieve, if necessary, to break up agglomerates that may have formed during storage and allow the obtained sample to flow freely into the measuring vessel until it overflows. Carefully scrape the excess powder from the top of the vessel as described for Method 2. Determine the mass (m_0) of the powder to the nearest 0.1 per cent by subtraction of the previously determined mass of the empty measuring vessel. Calculate the bulk density (g/mL) by the formula $m_0/100$ and record the average of 3 determinations using 3 different powder samples.

Tapped density

The tapped density is an increased bulk density attained after mechanically tapping a container containing the powder sample.

The tapped density is obtained by mechanically tapping a graduated measuring cylinder or vessel containing the powder sample. After observing the initial powder volume or mass, the measuring cylinder or vessel is mechanically tapped, and volume or mass readings are taken until little further volume or mass change is observed. The mechanical tapping is achieved by raising the cylinder or vessel and allowing it to drop, under its own mass, a specified distance by either of 3 methods as described below. Devices that rotate the cylinder or vessel during tapping may be preferred to minimize any possible separation of the mass during tapping down.

Method 1

Apparatus

The apparatus (Fig. 3.01-3) consists of the following:

- a 250 mL graduated cylinder (readable to 2 mL) with a mass of 220 ± 44 g.

- a settling apparatus capable of producing, in 1 min, either nominally 250 ± 15 taps from a height of 3 ± 0.2 mm, or nominally 300 ± 15 taps from a height of 14 ± 2 mm. The support for the graduated cylinder, with its holder, has a mass of

450 ± 10 g.

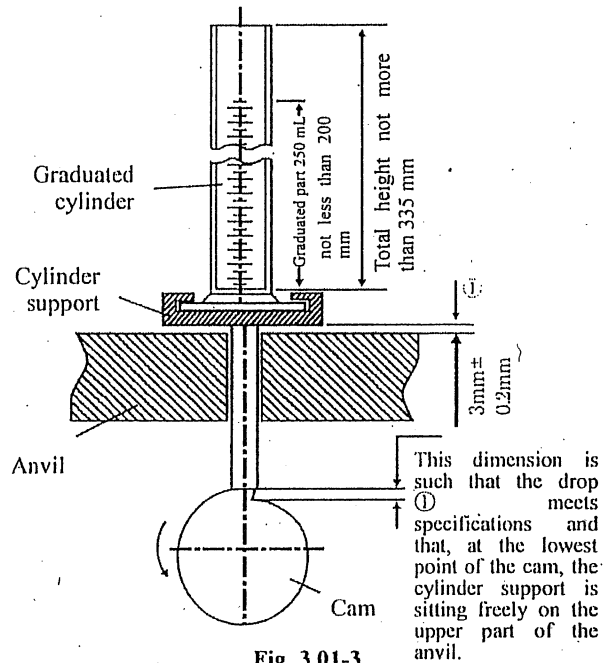


Fig. 3.01-3.

Procedure

Proceed as described above for the determination of the bulk volume (V_0).

Secure the cylinder in the holder. Carry out 10, 500 and 1250 taps on the same powder sample and read the corresponding volumes V_{10} , V_{500} and V_{1250} to the nearest graduated unit. If the difference between V_{500} and V_{1250} is less than 2 mL, V_{1250} is the tapped volume. If the difference between V_{500} and V_{1250} exceeds 2 mL, repeat in increments such as 1250 taps, until the difference between succeeding measurements is less than 2 mL. Fewer taps may be appropriate for some powders, when validated. Calculate the tapped density (g/mL) using the formula m/V_T in which V_T is the final tapped volume. Generally, replicate determinations are desirable for the determination of this property. Specify the drop height with the results.

If it is not possible to use a 100 g test sample, use a reduced amount and a suitable 100 mL graduated cylinder (readable to 1 mL) weighing 130 ± 16 g and mounted on a holder weighing 240 ± 12 g. The modified test conditions are specified in the expression of the results.

Method 2

Procedure

Proceed as directed under Method 1 except that the mechanical tester provides a fixed drop of 3 ± 0.2 mm at a nominal rate of 250 taps per minute.

Method 3

Procedure

Proceed as described in the method for measuring the bulk

density using the measuring vessel equipped with the cap shown in Fig. 3.01-2. The measuring vessel with the cap is lifted 50-60 times per minute by the use of a suitable tapped density tester. Carry out 200 taps, remove the cap and carefully scrape excess powder from the top of the measuring vessel as described in Method 3 for measuring the bulk density. Repeat the procedure using 400 taps. If the difference between the 2 masses obtained after 200 and 400 taps exceeds 2 per cent, carry out a test using 200 additional taps until the difference between succeeding measurements is less than 2 per cent. Calculate the tapped density (g/mL) using the formula $m_t/100$ where m_t is the mass of powder in the measuring vessel. Record the average of 3 determinations using 3 different powder samples.

Measures of Powder Compressibility

Because the interparticulate interactions influencing the bulking properties of a powder are also the interactions that interfere with powder flow, a comparison of the bulk and tapped densities can give a measure of the relative importance of these interactions in a given powder. Such a comparison is often used as an index of the ability of the powder to flow, for example the Compressibility Index or the Hausner Ratio.

The Compressibility Index and Hausner Ratio are measures of the propensity of a powder to be compressed as described above. As such, they are measures of the powder ability to settle and they permit an assessment of the relative importance of interparticulate interactions. In a free-flowing powder, such interactions are less significant, and the bulk and tapped densities will be closer in value. For poorer flowing materials, there are frequently greater interparticulate interactions, and a greater difference between the bulk and tapped densities will be observed. These differences are reflected in the Compressibility Index and the Hausner Ratio.

Compressibility Index:

$$100 (V_0 - V_T)/V_0$$

V_0 : unsettled apparent volume

V_T : final tapped volume

Hausner Ratio:

$$V_0/V_T$$

Depending on the material, the compressibility index can be determined using V_{10} instead of V_0 .

3.02 Specific Surface Area by Gas Adsorption

Change to read:

This test is harmonized with the European Pharmacopoeia and the U.S. Pharmacopeia. The parts of the text that are not harmonized are marked with symbols (♦ ♦).

♦The specific surface area determination method is a method to determine specific surface area (the total surface area of powder per unit mass) of a pharmaceutical powder sample by using gas adsorption method. ♦ The specific surface area of a powder is determined by physical adsorption of a gas on the surface of the solid and by calculating the amount of adsorbate gas corresponding to a monomolecular layer on the surface. Physical adsorption results from relatively weak forces (van der Waals forces) between the adsorbate gas molecules and the adsorbent surface of the test powder. The determination is usually carried out at the temperature of liquid nitrogen. The amount of gas adsorbed can be measured by a volumetric or continuous flow procedure.

1.1 MULTI-POINT MEASUREMENT

When the gas is physically adsorbed by the powder sample, the following relationship (Brunauer, Emmett and Teller (BET) adsorption isotherm) holds when the relative pressure (P/P_0) is in the range of 0.05 to 0.30 for pressure P of the adsorbate gas in equilibrium for the volume of gas adsorbed, V_a .

$$1/[V_a\{(P_0/P) - 1\}] = \{(C - 1)/(V_m C)\} \times (P/P_0) + (1/V_m C) \quad (1)$$

P : Partial vapour pressure of adsorbate gas in equilibrium with the surface at -195.8°C (b.p. of liquid nitrogen), in pascals,

P_0 : Saturated pressure of adsorbate gas, in pascals,

V_a : Volume of gas adsorbed at standard temperature and pressure (STP) [0°C and atmospheric pressure (1.013×10^5 Pa), in milliliters,

V_m : Volume of gas adsorbed at STP to produce an apparent monolayer on the sample surface, in milliliters,

C : Dimensionless constant that is related to the enthalpy of adsorption of the adsorbate gas on the powder sample.

A value of V_m is measured at each of not less than 3 values of P/P_0 . Then the BET value,

$$1/[V_a\{(P_0/P) - 1\}]$$

is plotted against P/P_0 according to equation (1). This plot should yield a straight line usually in the approximate relative pressure range 0.05 to 0.3. The data are considered acceptable if the correlation coefficient, r , of the linear regression is not less than 0.9975; that is, r^2 is not less than 0.995. From the resulting linear plot, the slope, which is equal to $(C - 1)/(V_m C)$, and the intercept, which is equal to $1/(V_m C)$, are evaluated by linear regression analysis. From these values, V_m is calculated as

$1/(\text{slope} + \text{intercept})$, while C is calculated as $(\text{slope}/\text{intercept}) + 1$. From the value of V_m so determined, the specific surface area, S , in m^2g^{-1} , is calculated by the equation:

$$S = (V_m N a) / (m \times 22400) \quad (2)$$

N : Avogadro constant ($6.022 \times 10^{23} \text{ mol}^{-1}$),

a : Effective cross-sectional area of one adsorbate molecule, in square metres ($0.162 \times 10^{-18} \text{ m}^2$ for nitrogen and $0.195 \times 10^{-18} \text{ m}^2$ for krypton),

m : Mass of test powder, in grams,

22400: Volume, in milliliters, occupied by one mole of the adsorbate gas at STP allowing for minor departures from the ideal.

A minimum of 3 data points is required. Additional measurements may be carried out, especially when non-linearity is obtained at a P/P_0 value close to 0.3. Because non-linearity is often obtained at a P/P_0 value below 0.05, values in this region are not recommended. The test for linearity, the treatment of the data, and the calculation of the specific surface area of the sample are described above.

1.2 SINGLE-POINT MEASUREMENT

Normally, at least 3 measurements of V_a each at different values of P/P_0 are required for the determination of specific surface area by the dynamic flow gas adsorption technique (*Method I*) or by volumetric gas adsorption (*Method II*). However, under certain circumstances described below, it may be acceptable to determine the specific surface area of a powder from a single value of V_a measured at a single value of P/P_0 such as 0.300 (corresponding to 0.300 mole of nitrogen or 0.001038 mole fraction of krypton), using the following equation for calculating V_m :

$$V_m = V_a \{1 - (P/P_0)\} \quad (3)$$

The single-point method may be employed directly for a series of powder samples of a given material for which the material constant C is much greater than unity. These circumstances may be verified by comparing values of specific surface area determined by the single-point method with that determined by the multiple-point method for the series of powder samples. Close similarity between the single-point values and multiple-point values suggests that $1/C$ approaches zero. The single-point method may be employed indirectly for a series of very similar powder samples of a given material for which the material constant C is not infinite but may be assumed to be invariant. Under these circumstances, the error associated with the single-point method can be reduced or eliminated by using the multiple-point method to evaluate C for one of the samples of the series from the BET plot, from which C is calculated as $(1 + \text{slope}/\text{intercept})$. Then V_m is calculated from the single value of V_a measured at a single value of P/P_0 by the equation:

$$V_m = V_a \{(P_0/P) - 1\} [(1/C) + \{(C - 1)/C\} \times (P/P_0)] \quad (4)$$

2. SAMPLE PREPARATION

Before the specific surface area of the sample can be determined, it is necessary to remove gases and vapors that may have become physically adsorbed onto the surface during storage and handling. If outgassing is not achieved, the specific surface area may be reduced or may be variable because some parts of surface area are covered with molecules of the previously adsorbed gases or vapors. The outgassing conditions are critical for obtaining the required precision and accuracy of specific surface area measurements on pharmaceuticals because of the sensitivity of the surface of the materials. The outgassing conditions must be demonstrated to yield reproducible BET plots, a constant weight of test powder, and no detectable physical or chemical changes in the test powder.

The outgassing conditions defined by the temperature, pressure and time should be so chosen that the original surface of the solid is reproduced as closely as possible.

Outgassing of many substances is often achieved by applying a vacuum, by purging the sample in a flowing stream of a non-reactive, dry gas, or by applying a desorption-adsorption cycling method. In either case, elevated temperatures are sometimes applied to increase the rate at which the contaminants leave the surface. Caution should be exercised when outgassing powder samples using elevated temperatures to avoid affecting the nature of the surface and the integrity of the sample.

If heating is employed, the recommended temperature and time of outgassing are as low as possible to achieve reproducible measurement of specific surface area in an acceptable time. For outgassing sensitive samples, other outgassing methods such as the desorption-adsorption cycling method may be employed.

The standard technique is the adsorption of nitrogen at liquid nitrogen temperature.

For powders of low specific surface area ($<0.2 \text{ m}^2\text{g}^{-1}$) the proportion adsorbed is low. In such cases the use of krypton at liquid nitrogen temperature is preferred because the low vapor pressure exerted by this gas greatly reduces error. All gases used must be free from moisture.

Accurately weigh a quantity of the test powder such that the total surface of the sample is at least 1 m^2 when the adsorbate is nitrogen and 0.5 m^2 when the adsorbate is krypton. Lower quantities of sample may be used after appropriate validation.

Because the amount of gas adsorbed under a given pressure tends to increase on decreasing the temperature, adsorption measurements are usually made at a low temperature. Measurement is performed at -195.8°C , the boiling point of liquid nitrogen.

Adsorption of gas should be measured either by Method I or Method II.

3.1 Method I: the dynamic flow method

In the dynamic flow method (see Fig. 3.02-1), the recommended adsorbate gas is dry nitrogen or krypton, while helium is employed as a diluent gas, which is not adsorbed under the recommended conditions. A minimum of 3 mixtures of the appropriate adsorbate gas with helium are required within the P/P_0 range 0.05 to 0.30.

The gas detector-integrator should provide a signal that is

approximately proportional to the volume of the gas passing through it under defined conditions of temperature and pressure. For this purpose, a thermal conductivity detector with an electronic integrator is one among various suitable types. A minimum of 3 data points within the recommended range of 0.05 to 0.30 for P/P_0 is to be determined.

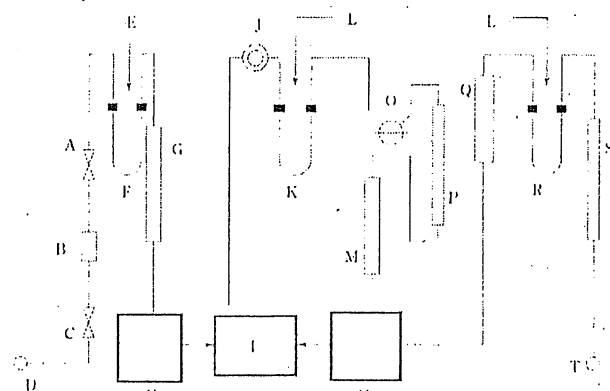
A known mixture of the gases, usually nitrogen and helium, is passed through a thermal conductivity cell, through the sample again through the thermal conductivity cell and then to a recording potentiometer. Immerse the sample cell in liquid nitrogen, then the sample adsorbs nitrogen from the mobile phase. This unbalances the thermal conductivity cell, and a pulse is generated on a recorder chart.

Remove from the coolant; this gives a desorption peak equal in area and in the opposite direction to the adsorption peak.

Since this is better defined than the adsorption peak, it is the one used for the determination.

To effect the calibration, inject a known quantity of adsorbate into the system, sufficient to give a peak of similar magnitude to the desorption peak and obtain the proportion of gas volume per unit peak area.

Use a nitrogen/helium mixture for a single-point determination and several such mixtures or premixing 2 streams of gas for a multiple-point determination. Calculation is essentially the same as for the volumetric method.



- A: Flow control valve
- B: Differential flow controller
- C: On-off valve
- D: Gas inlet
- E: O ring seals
- F: Cold trap
- G: Thermal equilibration tube
- H: Detector
- I: Digital display
- J: Calibrating septum
- K: Sample cell
- L: Self seals quick connection
- M: Short path ballast
- N: Detector
- O: Path selection valve
- P: Long path ballast
- Q: Flow meter
- R: Outgassing station

S: Diffusion baffle
T: Vent

Fig. 3.02-1 Schematic diagram of the dynamic flow method apparatus

3.2 Method II: the volumetric method

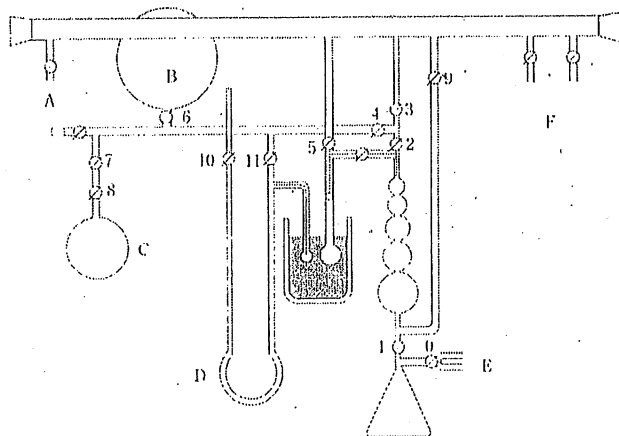
In the volumetric method (see Fig. 3.02-2), the recommended adsorbate gas is nitrogen which is admitted into the evacuated space above the previously outgassed powder sample to give a defined equilibrium pressure, P , of the gas. The use of a diluent gas, such as helium, is therefore unnecessary, although helium may be employed for other purposes, such as to measure the dead volume.

Since only pure adsorbate gas, instead of a gas mixture, is employed, interfering effects of thermal diffusion are avoided in this method.

Admit a small amount of dry nitrogen into the sample tube to prevent contamination of the clean surface, remove the sample tube, insert the stopper, and weigh it. Calculate the weight of the sample. Attach the sample tube to the volumetric apparatus. Cautiously evacuate the sample down to the specified pressure (e.g. between 2 Pa and 10 Pa). Alternately, some instruments operate by evacuating to a defined rate of pressure change (e.g. less than 13 Pa/30 s) and holding for a defined period of time before commencing the next step.

If the principle of operation of the instrument requires the determination of the dead volume in the sample tube, for example, by the admission of a non-adsorbed gas, such as helium, this procedure is carried out at this point, followed by evacuation of the sample. The determination of dead volume may be avoided using difference measurements, that is, by means of reference and sample tubes connected by a differential transducer.

Raise a Dewar vessel containing liquid nitrogen at -195.8°C up to a defined point on the sample cell. Admit a sufficient volume of adsorbate gas to give the lowest desired relative pressure. Measure the volume adsorbed, V_a . For multipoint measurements, repeat the measurement of V_a at successively higher P/P_0 values. When nitrogen is used as the adsorbate gas, P/P_0 values of 0.10, 0.20, and 0.30 are often suitable.



A: Vacuum gauge
B: Nitrogen reservoir

C: Helium reservoir
D: Vapour pressure manometer
E: Vacuum air
F: To cold traps and vacuum pumps

Fig. 3.02-2 Schematic diagram of the volumetric method apparatus

4. REFERENCE MATERIALS

Periodically verify the functioning of the apparatus using appropriate reference materials of known surface area, such as α -alumina for specific surface area determination, which should have a specific surface area similar to that of the sample to be examined.

3.04 Particle Size Determination

Change the Method 2 to read:

Method 2. Analytical Sieving Method

†The analytical sieving method is a method to estimate the particle size distribution of powdered pharmaceutical drugs by sieving. The particle size determined by this method is shown as the size of a minimum sieve opening through which the particle passes. "Powder" here means a gathering of numerous solid particles. †

Sieving is one of the oldest methods of classifying powders and granules by particle size distribution. When using a woven sieve cloth, the sieving will essentially sort the particles by their intermediate size dimension (i.e., breadth or width). Mechanical sieving is most suitable where the majority of the particles are larger than about 75 μm . For smaller particles, the light weight provides insufficient force during sieving to overcome the surface forces of cohesion and adhesion that cause the particles to stick to each other and to the sieve, and thus cause particles that would be expected to pass through the sieve to be retained. For such materials other means of agitation such as air-jet sieving or sonic sifting may be more appropriate. Nevertheless, sieving can sometimes be used for some powders or granules having median particle sizes smaller than 75 μm where the method can be validated. In pharmaceutical terms, sieving is usually the method of choice for classification of the coarser grades of single powders or granules. It is a particularly attractive method in that powders and granules are classified only on the basis of particle size, and in most cases the analysis can be carried out in the dry state.

Among the limitations of sieving method are the need for an appreciable amount of sample (normally at least 25 g, depending on the density of the powder or granule, and the diameter of test sieves) and difficulty in sieving oily or other cohesive powders or granules that tend to clog the sieve openings. The method is essentially a two-dimensional estimate of size because passage through the sieve aperture is frequently more dependent on maximum width and thickness than on length.

This method is intended for estimation of the total particle size distribution of a single material. It is not intended for determination of the proportion of particles passing or retained on one or two sieves.

Estimate the particle size distribution as described under *Dry Sieving Method*, unless otherwise specified in the individual monograph. Where difficulty is experienced in reaching the endpoint (i.e., material does not readily pass through the sieves) or when it is necessary to use the finer end of the sieving range (below 75 μm), serious consideration should be given to the use of an alternative particle-sizing method.

Sieving should be carried out under conditions that do not cause the test sample to gain or lose moisture. The relative humidity of the environment in which the sieving is carried out

should be controlled to prevent moisture uptake or loss by the sample. In the absence of evidence to the contrary, analytical test sieving is normally carried at ambient humidity. Any special conditions that apply to a particular material should be detailed in the individual monograph.

Principles of Analytical Sieving—Analytical test sieves are constructed from a woven-wire mesh, which is of simple weave that is assumed to give nearly square apertures and is sealed into the base of an open cylindrical container. The basic analytical method involves stacking the sieves on top of one another in ascending degrees of coarseness, and then placing the test powder on the top sieve.

The nest of sieves is subjected to a standardized period of agitation, and then the weight of material retained on each sieve is accurately determined. The test gives the weight percentage of powder in each sieve size range.

This sieving process for estimating the particle size distribution of a single pharmaceutical powder is generally intended for use where at least 80% of the particles are larger than 75 μm . The size parameter involved in determining particle size distribution by analytical sieving is the length of the size of the minimum square aperture through which the particle will pass.

TEST SIEVES

Test sieves suitable for pharmacopoeial tests conform to the most current edition of International Organisation for Standardization (ISO) Specification ISO 3310-1; Test sieves—Technical requirements and testing (see Table 3.04-1). Unless otherwise specified in the monograph, use those ISO sieves listed in the Table 3.04-1 as recommended in the particular region.

Sieves are selected to cover the entire range of particle sizes present in the test specimen. A nest of sieves having a $\sqrt{2}$ progression of the area of the sieve openings is recommended. The nest of sieves is assembled with the coarsest screen at the top and the finest at the bottom. Use micrometers or millimeters in denoting test sieve openings. [Note—Mesh numbers are provided in the table for conversion purposes only.] Test sieves are made from stainless steel or, less preferably, from brass or other suitable non-reactive wire.

Calibration and recalibration of test sieves is in accordance with the most current edition of ISO 3310-1²⁾. Sieves should be carefully examined for gross distortions and fractures, especially at their screen frame joints, before use. Sieves may be calibrated optically to estimate the average opening size, and opening variability, of the sieve mesh. Alternatively, for the evaluation of the effective opening of test sieves in the size range of 212 to 850 μm , Standard Glass Spheres are available. Unless otherwise specified in the individual monograph, perform the sieve analysis at controlled room temperature and at ambient relative humidity.

Cleaning Test Sieves—Ideally, test sieves should be cleaned using only an air jet or a liquid stream. If some apertures remain blocked by test particles, careful gentle brushing may be used as a last resort.

Test Specimen—If the test specimen weight is not given in the

monograph for a particular material, use a test specimen having a weight between 25 and 100 g, depending on the bulk density of the material, and test sieves having a 200 mm diameter. For 76 mm sieves the amount of material that can be accommodated is approximately 1/7th that which can be accommodated on a 200 mm sieve. Determine the most appropriate weight for a given material by test sieving accurately weighed specimens of different weights, such as 25, 50, and 100 g, for the same time period on a mechanical shaker. [Note—If the test results are similar for the 25-g and 50-g specimens, but the 100-g specimen shows a lower percentage through the finest sieve, the 100-g specimen size is too large.] Where only a specimen of 10 to 25 g is available, smaller diameter test sieves conforming to the same mesh specifications may be substituted, but the endpoint must be re-determined. The use of test samples having a smaller mass (e.g. down to 5 g) may be needed. For materials with low apparent particle density, or for materials mainly comprising particles with a highly iso-diametrical shape, specimen weights below 5 g for a 200 mm screen may be necessary to avoid excessive blocking of the sieve. During validation of a particular sieve analysis method, it is expected that the problem of sieve blocking will have been addressed.

If the test material is prone to picking up or losing significant amounts of water with varying humidity, the test must be carried out in an appropriately controlled environment. Similarly, if the test material is known to develop an electrostatic charge, careful observation must be made to ensure that such charging is not influencing the analysis. An antistatic agent, such as colloidal silicon dioxide and/or aluminum oxide, may be added at a 0.5 percent (m/m) level to minimize this effect. If both of the above effects cannot be eliminated, an alternative particle-sizing technique must be selected.

Agitation Methods—Several different sieve and powder agitation devices are commercially available, all of which may be used to perform sieve analyses. However, the different methods of agitation may give different results for sieve analyses and endpoint determinations because of the different types and magnitude of the forces acting on the individual particles under test. Methods using mechanical agitation or electromagnetic agitation, and that can induce either a vertical oscillation or a horizontal circular motion, or tapping or a combination of both tapping and horizontal circular motion are available. Entrainment of the particles in an air stream may also be used. The results must indicate which agitation method was used and the agitation parameters used (if they can be varied), since changes in the agitation conditions will give different results for the sieve analysis and endpoint determinations, and may be sufficiently different to give a failing result under some circumstances.

Endpoint Determination—The test sieving analysis is complete when the weight on any of the test sieves does not change by more than 5% or 0.1 g (10% in the case of 76 mm sieves) of the previous weight on that sieve. If less than 5% of the total specimen weight is present on a given sieve, the endpoint for that sieve is increased to a weight change of not more than 20% of the previous weight on that sieve.

If more than 50% of the total specimen weight is found on

any one sieve, unless this is indicated in the monograph, the test should be repeated, but with the addition to the sieve nest of a more coarse sieve intermediate between that carrying the excessive weight and the next coarsest sieve in the original nest, i.e., addition of the ISO series sieve omitted from the nest of sieves.

SIEVING METHODS

Mechanical agitation

Dry Sieving Method—Tare each test sieve to the nearest 0.1 g. Place an accurately weighed quantity of test specimen on the top (coarsest) sieve, and place the lid. Agitate the nest of sieves for 5 minutes. Then carefully remove each from the nest without loss of material. Reweigh each sieve, and determine the weight of material on each sieve. Determine the weight of material in the collecting pan in a similar manner. Reassemble the nest of sieves, and agitate for 5 minutes. Remove and weigh each sieve as previously described. Repeat these steps until the endpoint criteria are met (see *Endpoint Determination* under *Test Sieves*). Upon completion of the analysis, reconcile the weights of material. Total losses must not exceed 5% of the weight of the original test specimen.

Repeat the analysis with a fresh specimen, but using a single sieving time equal to that of the combined times used above. Confirm that this sieving time conforms to the requirements for endpoint determination. When this endpoint had been validated for a specific material, then a single fixed time of sieving may be used for future analyses, providing the particle size distribution falls within normal variation.

If there is evidence that the particles retained on any sieve are aggregates rather than single particles, the use of mechanical dry sieving is unlikely to give good reproducibility, a different particle size analysis method should be used.

Air Entrainment Methods

Air Jet and Sonic Sifter Sieving—Different types of commercial equipment that use a moving air current are available for sieving. A system that uses a single sieve at a time is referred to as *air jet* sieving. It uses the same general sieving methodology as that described under the *Dry Sieving Method*, but with a standardized air jet replacing the normal agitation mechanism. It requires sequential analyses on individual sieves starting with the finest sieve to obtain a particle size distribution. Air jet sieving often includes the use of finer test sieves than used in ordinary dry sieving. This technique is more suitable where only oversize or undersize fractions are needed.

In the *sonic sifting* method, a nest of sieves is used, and the test specimen is carried in a vertically oscillating column of air that lifts the specimen and then carries it back against the mesh openings at a given number of pulses per minute. It may be necessary to lower the sample amount to 5 g, when sonic sifting is employed.

The air jet sieving and sonic sieving methods may be useful for powders or granules when mechanical sieving techniques are incapable of giving a meaningful analysis.

These methods are highly dependent upon proper dispersion of the powder in the air current. This requirement may be hard to achieve if the method is used at the lower end of the sieving

range (i.e., below 75 μm), when the particles tend to be more cohesive, and especially if there is any tendency for the material to develop an electrostatic charge. For the above reasons endpoint determination is particularly critical, and it is very important to confirm that the oversize material comprises single particles and is not composed of aggregates.

INTERPRETATION

The raw data must include the weight of test specimen, the total sieving time, and the precise sieving methodology and the set values for any variable parameters, in addition to the weights retained on the individual sieves and in the pan. It may be convenient to convert the raw data into a cumulative weight distribution, and if it is desired to express the distribution in terms of a cumulative weight undersize, the range of sieves used should include a sieve through which all the material passes. If there is evidence on any of the test sieves that the material remaining on it is composed of aggregates formed during the sieving process, the analysis is invalid.

- ¹⁾ Additional information on particle size measurement, sample size, and data analysis is available, for example, in ISO 9276.
- ²⁾ International Organization for Standardization (ISO) Specification ISO 3310-1; Test sieves-Technical requirements and testing

Table 3.04-1. Sizes of Standard Sieve Series in Range of Interest

ISO Nominal Aperture			US Sieve No.	Recommended USP Sieves (microns)	European Sieve No.	Japan Sieve No.
Principal sizes	Supplementary sizes					
R 20/3	R 20	R 40/3				
11.20 mm	11.20 mm 10.00 mm	11.20 mm			11200	
		9.50 mm				
8.00 mm	9.00 mm 8.00 mm 7.10 mm	8.00 mm				
		6.70 mm				
5.60 mm	6.30 mm 5.60 mm 5.00 mm	5.60 mm			5600	3.5
		4.75 mm				4
4.00 mm	4.50 mm 4.00 mm 3.55 mm	4.00 mm	5	4000	4000	4.7
		3.35 mm	6			5.5
2.80 mm	3.15 mm 2.80 mm 2.50 mm	2.80 mm	7	2800	2800	6.5
		2.36 mm	8			7.5
2.00 mm	2.24 mm 2.00 mm 1.80 mm	2.00 mm	10	2000	2000	8.6
		1.70 mm	12			10
1.40 mm	1.60 mm 1.40 mm 1.25 mm	1.40 mm	14	1400	1400	12
		1.18 mm	16			14
1.00 mm	1.12 mm 1.00 mm 900 μm	1.00 mm	18	1000	1000	16
		850 μm	20			18
710 μm	800 μm 710 μm 630 μm	710 μm	25	710	710	22
		600 μm	30			26
500 μm	560 μm 500 μm 450 μm	500 μm	35	500	500	30
		425 μm	40			36
355 μm	400 μm 355 μm 315 μm	355 μm	45	355	355	42
		300 μm	50			50
250 μm	280 μm 250 μm 224 μm	250 μm	60	250	250	60
		212 μm	70			70
180 μm	200 μm 180 μm 160 μm	180 μm	80	180	180	83
		150 μm	100			100
125 μm	140 μm 125 μm 112 μm	125 μm	120	125	125	119
		106 μm	140			140
90 μm	100 μm 90 μm 80 μm	90 μm	170	90	90	166
		75 μm	200			200
63 μm	71 μm 63 μm 56 μm	63 μm	230	63	63	235
		53 μm	270			282
45 μm	50 μm 45 μm 40 μm	45 μm	325	45	45	330
		38 μm			38	391

第十五改正日本薬局方

第二追補

(平成 21 年 9 月 30 日厚生労働省告示第 425 号)

一般試験法の部 3.01 かさ密度及びタップ密度測定法の条を次のように改める。

3.01 かさ密度及びタップ密度測定法

本試験法は、三薬局方での調和合意に基づき規定した試験法である。

なお、三薬局方で調和されていない部分は「*」で囲むことにより示す。

*かさ密度及びタップ密度測定法は、それぞれ粉末状医薬品の疎充てん時及びタップ充てん時におけるみかけの密度を測定する方法である。疎充てんとは、容器中に粉体を圧密せずゆるやかに充てんすることであり、タップ充てんとは、粉体を充てんした容器を一定高さより一定速度で繰り返し落下させ、容器中の粉体のかさ体積がほぼ一定となるまで密に充てんすることである。

かさ密度

粉体のかさ密度は、クランプしない（ゆるみ）状態での粉体試料の質量と粒子間空隙容積の因子を含んだ粉体の体積との比である。したがって、かさ密度は粉体の粒子密度と粉体層内の粒子の空間的配列に依存する。かさ密度は、国際単位系では kg/m^3 ($1 \text{ g/mL} = 1000 \text{ kg/m}^3$) であるが、メスシリンダーを用いて測定するので g/mL で表される。なお、これは g/cm^3 で表してもよい。

粉体のかさ特性は、試料の調製法、処理法や保存法、すなわち、粉体がどのように取り扱われたかに依存する。粒子は、連続のかさ密度を持つように充てんすることができ、また、粉体層をごくわずかに乱すだけでもかさ密度は変化する。このように、粉体のかさ密度を再現性よく測定するのは極めて難しいので、結果を記録する際には、どのようにして測定したかを明記しておくことが重要である。

粉体のかさ密度は、ふるいを通してメスシリンダーに入れた既知質量の粉体試料の体積を測定する（第1法）か、又はボリュメーターを通して容器内に入れた既知体積の粉体試料の質量を測定する（第2法）か、若しくは測定用容器（第3法）を用いることによって求める。これらの中で第1法及び第3法を用いるのが望ましい。

第1法（メスシリンダーを用いる方法）

操作法

保存中に形成するかも知れない凝集体を解砕するために、必要ならば、試験を行うのに十分な量の粉体を 1.0 mm 以上の目開きを持つふるいを通す。この操作は試料の性質を変化させないよう静かに行わねばならない。0.1% の精度で秤量した約 100 g の試料 (m) を圧密せずに乾いた 250 mL メスシリンダー（最小目盛単位：2 mL）に静かに入れる。必要ならば、粉体層の上面を圧密せずに注意深くならし、ゆるみかさ体積 (V_0) を最小目盛単位まで読み取る。 m/V_0 によってかさ密度 (g/mL) を計算する。この特性値を測定するためには、一般に繰り返し測定することが望ましい。

粉体の密度が小さすぎるか又は大きすぎる、すなわち、試料のゆるみかさ体積が 250 mL 以上であるか又は 150 mL 以下の場合には、試料量として 100 g を用いることはできない。したがって、このような場合には、試料のゆるみかさ体積が 150 mL から 250 mL（メスシリンダーの全容積中に占めるか

かさ体積が 60 % 以上) となるような、別の試料量を選択しなければならない。この場合、試料の質量を結果の項目中に記載しておく。

50 mL から 100 mL のかさ体積を持つ試料については、最小目盛単位が 1 mL の 100 mL メスシリンダーを用いることができる。この場合、メスシリンダーの容積を結果の項目中に記載しておく。

第2法 (ポリュメーターを用いる方法)

装置

装置¹⁾ (図 3.01-1) は目開き 1.0 mm のふるいを取り付けた上部漏斗から構成される。この漏斗は、粉体が通過する時に、その上を滑落ちたり跳ね上がったりする 4 枚のガラス製邪魔板が取り付けられたバフフル・ボックスの上部に固定されている。バフフル・ボックスの底部には、ボックスの直下に置かれた、粉体を集めてカップに注入できるような漏斗がある。このカップは円筒形 (容積 25.00 ± 0.05 mL, 内径 30.00 ± 2.00 mm) 又は正方形 (容積 16.39 ± 2.00 mL, 一辺の長さ 25.4 ± 0.076 mm) である。

操作法

正方形カップの場合には最少量 25 cm³、円筒形カップの場合には最少量 35 cm³ の粉体を用い、装置を通して試料の受器となるカップ内に過剰の粉体を溢れるまで流下させる。カップの上面に垂直に立てて接触させたヘラの刃を滑らかに動かし、圧密ヤカップからの粉体の溢流を防ぐためにヘラを垂直にしたまま、カップの上面から過剰の粉体を注意深くすり落とす。カップの側面からも試料をすべて除去し、粉体の質量 (m) を 0.1 % まで測定する。式 m/V_0 (V_0 はカップの容積) によってかさ密度 (g/mL) を計算する。3 つの異なった試料を用いて 3 回の測定値の平均値を記録する。

第3法 (容器を用いる方法)

装置

装置は図 3.01-2 に示すようなステンレス製の 100 mL 円筒形容器から構成される。

操作法

保存中に形成された凝集体を解砕し、得られた試料を測定用容器に溢れるまで自由に流入させるために、必要ならば、試験を行うのに十分な量の試料を 1.0 mm のふるいを通して調製する。第 2 法と同様に容器の上面から過剰の粉体を注意深くすり落とす。あらかじめ測定しておいた空の測定用容器の質量を差し引くことによって、粉体の質量 (m_0) を 0.1 % まで測定する。式 $m_0/100$ によってかさ密度 (g/mL) を計算し、3 つの異なった試料を用いて 3 回の測定値の平均値を記録する。

タップ密度

タップ密度は、粉体試料を入れた容器を機械的にタップした後には得られる、増大したかさ密度である。

タップ密度は粉体試料を入れた測定用メスシリンダー又は容器を機械的にタップすることにより得られる。粉体の初期体積又は質量を測定した後、測定用メスシリンダー又は容器を機械的にタップし、体積又は質量変化がほとんど認められなくなるまで体積又は質量を読み取る。機械的タッピングは、メスシリンダー又は容器を持ち上げ、自重下で以下に述べる 3 つの方法のいずれかによって所定の距離を落下させることにより行われる。タッピング中に生じる塊の分離をできるだけ最小限にするために、タッピング中にメスシリンダー又は容器を回転させ

ることができるような装置がよい。

第1法

装置

装置 (図 3.01-3) は、次の部品から構成される。

- 質量 220 ± 44 g の 250 mL メスシリンダー (最小目盛単位: 2 mL)

- 3 ± 0.2 mm の高さから公称 250 \pm 15 回/分、又は 14 \pm 2 mm の高さから公称 300 \pm 15 回/分のタップ速度を与えることができる落下装置。メスシリンダー用の 450 ± 10 g の質量を持つ支持台。

操作法

かさ体積 (V_0) の測定について先に述べたようにして行う。メスシリンダーを支持台に装着する。同じ粉体試料について 10 回、500 回及び 1250 回タップし、対応するかさ体積 V_{10} 、 V_{500} 及び V_{1250} を最小目盛単位まで読み取る。 V_{10} と V_{1250} の差が 2 mL 未満であれば、 V_{1250} をタップ体積とする。 V_{10} と V_{1250} の差が 2 mL を超える場合には、連続した測定値間の差が 2 mL 未満となるまで 1250 回ずつタップを繰り返す。なお、バリデートされていれば、粉体によってはタップ回数はより少なくてもよい。式 m/V_f (V_f は最終タップ体積) を用いてタップ密度 (g/mL) を計算する。この特性値を測定するためには、一般に測定は繰り返し行うことが望ましい。結果と共に、落下高さも記載しておく。

100 g の試料を用いることができない場合には、試料量を減じ、 240 ± 12 g の質量を持つ支持台の上に固定された 130 \pm 16 g の適切な 100 mL メスシリンダー (最小目盛単位 1 mL) を用いる。試験条件の変更については、結果の項目中に記載しておく。

第2法

操作法

250 回/分の公称速度で 3 ± 0.2 mm の固定した落下高さが得られるタップ密度測定器を用いる場合は、第 1 法で指示されたように行う。

第3法

操作法

図 3.01-2 に示した補助円筒を装着した測定用容器を用いて、かさ密度の測定法に従って行う。適切なタップ密度試験器を用いて補助円筒付きの測定用容器を 50 ~ 60 回/分でタップする。200 回タップして補助円筒を取り外し、かさ密度測定における第 3 法で示した測定用容器の上面から過剰の粉体を注意深くすり落とす。タップ操作を更に 400 回繰り返す。200 回及び 400 回タップ後に得られた 2 つの質量の差が 2 % を超えた場合には、2 つの連続した測定値間の差が 2 % 未満となるまで更に 200 回ずつタップして、試験を行う。式 $m/100$ (m は測定用容器中の粉体質量) を用いてタップ密度 (g/mL) を計算し、3 つの異なった試料を用いて 3 回の測定値の平均値を記録する。

粉体の圧縮性の尺度

粉体のかさ特性に影響する粒子間相互作用は、粉体の流動を妨げる相互作用でもあるので、かさ密度とタップ密度を比較することは、ある特定の粉体におけるこれらの相互作用の相対的重要性を示す一つの尺度となり得る。このような比較は、例えば、圧縮性指数又は Hausner 比のように、粉体の流れやすさの指標としてしばしば用いられる。

圧縮性指数と Hausner 比は、先に述べたように粉体の圧縮傾向の尺度となる。これらはそれ自身、粉体層の沈下能の尺度であり、これによって粒子間相互作用の相対的重要性を評価することができる。自由流動性のある粉体については、このような相互作用はあまり重要ではなく、かさ密度とタッピング密度の値は比較的近接している。流動性の乏しい粉体では粒子間相互作用はしばしば大きくなり、かさ密度とタッピング密度の間にはより大きな差違が認められる。これらの差違は圧縮性指数と Hausner 比に反映する。

圧縮性指数：次式によって計算する。

$$100 (V_0 - V_1) / V_0$$

・ V_0 : みかけの体積

V_1 : 最終タッピング体積

Hausner 比：次式によって計算する。

$$V_0 / V_1$$

・ 試料によっては、圧縮性指数は V_0 の代わりに V_{90} を用いて測定することができる。

② 装置 (Scott Volumeter) は、ASTM 32990 に準拠している。

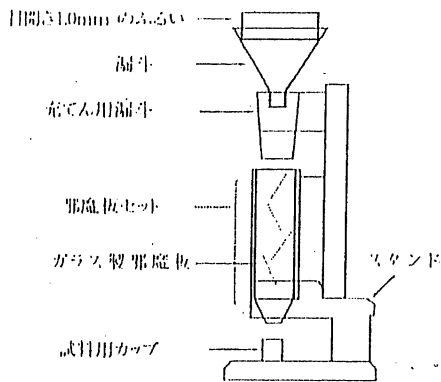
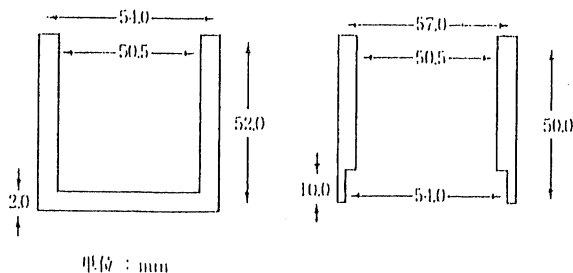


図 3.01-1 ボリュメーター



単位 : mm

図 3.01-2 測定用容器 (左) と補助円筒 (右)

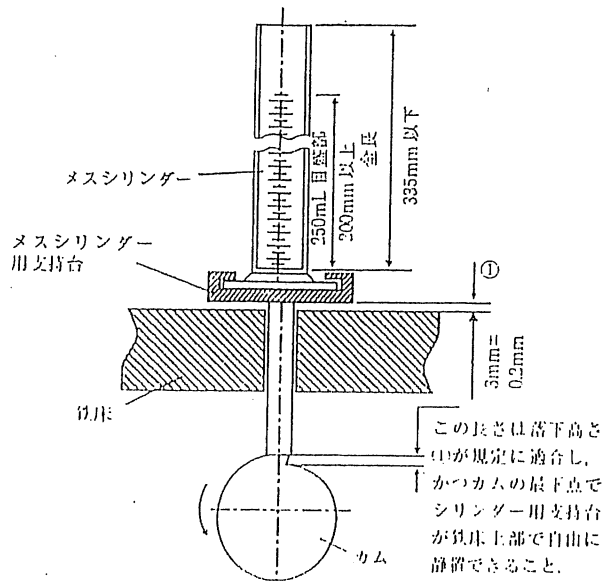


図 3.01-3 タッピング装置

一般試験法の部 3.02 比表面積測定法の条を次のように改める。

3.02 比表面積測定法

本試験法は、三薬局方での調和合意に基づき規定した試験法である。

なお、三薬局方で調和されていない部分は「*」で囲ふことにより示す。

*比表面積測定法は、気体吸着法により粉末医薬品の比表面積 (単位質量当たりの粉体の全表面積) を算出する方法である。*試料の比表面積は、固体表面での気体の物理吸着により測定され、表面上の単分子層に相当する吸着気体の量を求めることにより算出される。物理吸着は、吸着気体分子と粉末試料表面の間の比較的弱い力 (van der Waals 力) に起因している。通例、測定は液体窒素の沸点で行われ、吸着した気体量は、動的流動法又は容量法により測定される。

1.1 多点法

粉末試料に気体を物理吸着させたとき、吸着した気体量 V と吸着平衡にある吸着気体の圧力 P との間には、相対圧 (P/P_0) の値が 0.05 ~ 0.30 の範囲内で、次式の関係 (Brunauer, Emmett, Teller (BET) の吸着等温式) がある。

$$\frac{1}{V_s \left[\frac{P_0}{P} - 1 \right]} = \frac{(C-1)}{V_m C} \times \frac{P}{P_0} + \frac{1}{V_m C} \quad (1)$$

P : -195.8°C (液体窒素の沸点) で試料表面と平衡状態にある吸着気体の分圧 (Pa)

P_0 : 吸着気体の蒸気圧 (Pa)

V_s : 標準状態 (0°C , 1.013×10^5 Pa) における吸着気体の体積 (mL)

V_m : 試料表面でみかけの単分子層を形成する標準状態における吸着気体の体積 (mL)

C : 試料表面における吸着気体の吸着エンタルピーに関係する定数

多点法では、 V_s は 3 つ以上の P/P_0 において測定される。このとき、 $1/[V_s \cdot (P/P_0 - 1)]$ を、式 (1) に従って P/P_0 に対してプロットすると、通例、相対圧が 0.05 ~ 0.30 の範囲内で直線となる。直線回帰の相関係数 r が 0.9975 以上、すなわち、 r^2 が 0.995 以上であることが必要である。直線プロットから、 $(C-1)/(V_m C)$ である傾きと、 $1/(V_m C)$ である切片を直線回帰分析から求める。これらの値から、 $V_m = 1/(\text{傾き} \cdot \text{切片})$ 、 $C = (\text{傾き}/\text{切片}) + 1$ が計算される。得られた V_m の値から、比表面積 S (m^2/g) が次式によって計算される。

$$S = (V_m N a) / (m \times 22400) \quad (2)$$

N : アボガド数 $6.022 \times 10^{23}/\text{mol}$

a : 吸着気体分子 1 個の有効断面積 (m^2) (N_2 : 0.162×10^{-18} , Kr : 0.195×10^{-18})

m : 粉末試料の質量 (g)

22400 : 標準状態における吸着気体 1 mol の体積 (mL)

少なくとも 3 つの測定点を必要とする。0.3 付近の P/P_0 値で非直線性が認められる場合は、追加の測定を行う。 P/P_0 値が 0.05 以下では非直線性が認められることがあるので、この範囲での測定は推奨されない。直線性の検証、データ処理、試料の比表面積の算出は上記のように行う。

1.2 一点法

動的流動法 (第 1 法) 又は容量法 (第 2 法) による比表面積の測定については、通例、少なくとも 3 つの異なる P/P_0 における V_s の測定が必要である。しかし、ある条件下では 0.300 付近の P/P_0 (窒素では 0.300, クリプトンでは 0.001038 モル分率に相当する。) で測定された V_s の値から次式を用いて V_m を求め、比表面積を計算することができる。

$$V_m = V_s [1 - (P/P_0)] \quad (3)$$

一点法は、物質に関係する定数 C が 1 よりはるかに大きい物質の粉末試料について用いることができる。一点法が有効な条件については、一連の粉末試料について一点法で測定された比表面積の値を多点法で測定された値と比較することによって確認することができる。一点法により求めた比表面積と多点法により求めた値が近似していれば、 $1/C$ がほぼ 0 であることを示している。 C の値が極めて大きい試験物質の一連の類似の試料に対して、一点法は間接的に用いることができる。このような場合、一点法による誤差を減少させることは、定数

C をいずれかの試料の多点法の BET プロットから、 $C = 1 + (\text{傾き}/\text{切片})$ として求めることにより可能となる。このとき、次式によって P/P_0 において測定された V_s の値から V_m が計算される。

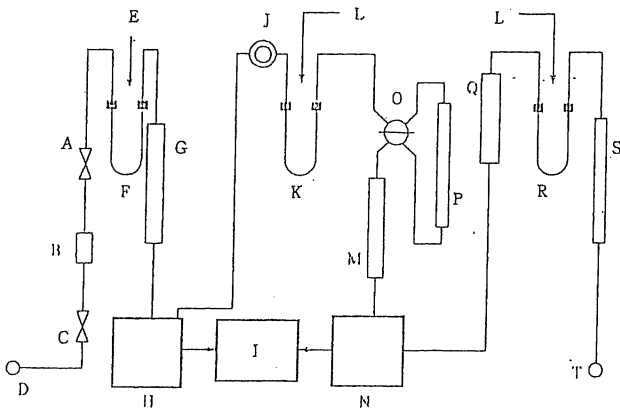
$$V_m = V_s \left(\frac{P_0}{P} - 1 \right) \left[\frac{1}{C} + \frac{C-1}{C} \times \left(\frac{P}{P_0} \right) \right] \quad (4)$$

2. 試料の調製

比表面積を測定する前に、保存又は取扱い中に粉体試料の表面に物理的に吸着した気体を除去しておく必要がある。脱気操作が不十分な場合には、試料表面の一部に吸着している気体の影響により比表面積が低下又は変動することがある。物質の表面は反応性を持つので、粉末医薬品の比表面積測定について必要な精度と正確さを得るためには、脱気条件の設定は重要である。脱気条件の設定に当たっては、BET プロットに再現性があること、試料の質量が一定であること、及び試料の物理的又は化学的变化がないことを保証しなければならない。温度、圧力及び時間によって決められる脱気条件は、粉末試料の元の表面ができるだけ再現されるように選択しなければならない。脱気は、真空とするか、非反応性の乾燥した気体の流れの中に試料をさらすか、又は脱着-吸着繰り返し法を用いる。いずれの場合においても、不純物が試料から脱離する速度を増加させるために、加熱することがある。粉末試料を加熱する場合には、表面の性質や試料状態への影響を避けるような注意が必要であり、比表面積測定の再現性を保証するために、できるだけ低い温度と短い脱気時間を用いる。加熱に敏感な試料の場合には、脱着-吸着繰り返し法のような他の脱気法を用いることができる。物理吸着の標準的な方法は、液体窒素の沸点における窒素の吸着である。比表面積の小さい試料 ($<0.2 \text{ m}^2/\text{g}$) では低い蒸気圧を持つクリプトンの吸着を利用する。用いるすべての気体は水分を含んではならない。吸着気体が窒素の場合には試料の全表面積が少なくとも 1 m^2 、またクリプトンの場合には少なくとも 0.5 m^2 となるように、粉末試料の質量を正確に量る。適切なバリデーションにより、少ない試料量も使用できる。一定の圧力下で吸着する気体量は、温度が低下するにつれて増加する傾向にあるので、吸着測定は、通常、低温で行われる。測定は、液体窒素の沸点である -195.8°C で行われる。気体吸着は、次に記載する方法のいずれかにより測定する。

3.1 第 1 法：動的流動法

動的流動法 (図 3.02-1) では、吸着気体として乾燥した窒素又はクリプトンを使用する。ヘリウムは吸着されないので希釈用気体として用いる。 P/P_0 が 0.05 ~ 0.30 の範囲内で吸着気体とヘリウムの混合比を変えた、少なくとも 3 種類の混合気体を調製する。所定の温度及び圧力条件下で気体濃度検出器は通過する気体の体積にはほぼ比例する信号を出力し、通例、検出器として電子式積分計を内蔵した熱伝導度検出器が用いられる。 P/P_0 が 0.05 ~ 0.30 の範囲内で、少なくとも 3 つのデータを測定しなければならない。



- | | |
|---------------|------------|
| A: 流量制御バルブ | K: 試験用セル |
| B: 微分流量制御計 | L: すり合せ連結管 |
| C: 閉閉バルブ | M: 短流路安定管 |
| D: 気体流入口 | N: 検出器 |
| E: (O) リングシール | O: 流路選択バルブ |
| F: 冷却トラップ | P: 長流路安定管 |
| G: 熱平衡管 | Q: 流量計 |
| H: 検出器 | R: 脱気用部位 |
| I: デジタル画面 | S: 拡散調節装置 |
| J: 校正用隔膜 | T: 排気口 |

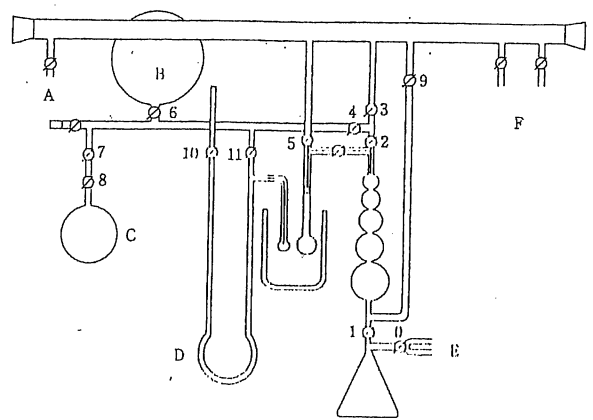
図 3.02-1 動的流動法装置の概略図

窒素及びヘリウムの混合気体は検出器を通過した後、試験用セルへ導かれ、再び検出器を通過させる。試験用セルを液体窒素中に浸すと、試料は移動相から窒素を吸着し、熱伝導率検出器を通じて記録計上にパルスとして記録される。次いで、試験用セルを冷却剤から除去する。これによって吸着ピークの反対側にこれと等しい面積を持つ脱着ピークが発生する。この脱着ピークは吸着ピークより明確であるので、測定のために用いられる。校正には、脱着ピークと同様の大きさのピークを与える量の気体を注入し、単位ピーク面積と気体体積との比例関係を求める。一点法では窒素/ヘリウムの混合物を用い、多点法ではいくつかの同様な混合物を用いるか、又は 2 種類の気体の混合により行う。計算は、基本的には容量法と同じである。

3.2 第2法：容量法

容量法 (図 3.02-2) で汎用される吸着気体は窒素であり、これをあらかじめ脱気した粉末試料上の空間に一定の平衡圧 P になるように導入する。ヘリウムは、死容積を測定する目的で用いられる。

本法では混合ガスではなく、純粋な吸着ガスのみを用いるので、熱拡散の干渉効果は避けられる。



- | | |
|----------|-----------------|
| A: 真空計 | D: 圧力計 |
| B: 窒素溜 | E: 真空/大気 |
| C: ヘリウム溜 | F: 冷却トラップ/真空ポンプ |

図 3.02-2 容量法装置の概略図

試料表面の汚染を防ぐため、試料管内に乾燥した少量の窒素を入れ、試料管を外し、ストッパーを挿入する。その質量を量り、試料の質量を求める。試料管を測定装置に取り付け、試料管内を注意深く所定の圧力 ($2 \sim 10$ Pa) まで減圧する。いくつかの装置では所定の圧力変化速度 (例えば、 13 Pa/30 s 以下) で減圧し、次のステップを開始するまで所定時間これを維持するようになっている。必要な場合は試料管内の死容積の測定を非吸着性気体であるヘリウムを用いて行う。死容積の測定は差分測定、すなわち、差圧トランスデューサーに接続した対照管と試料管を用いる方法によっても行うことができる。

195.8°C の液体窒素を入れたデユアア瓶を試料管上の所定の位置まで上げ、必要な P/P_0 となるように十分な量の窒素を導入し、吸着した気体の体積 V_s を測定する。多点法では連続的により高い P/P_0 で V_s の測定を繰り返し行う。吸着気体として窒素を用いるときは、 0.10 、 0.20 、 0.30 の P/P_0 が適切である。

4. 標準物質

試験すべき試料と近似した比表面積値を持つ比表面積測定用 α -アルミナ等を用いて、装置の稼働を定期的に確かめる。

一般試験法の部 3.04 粒度測定法の条第2法 ふるい分け法の項を次のように改める。

3.04 粒度測定法

第2法 ふるい分け法

◇ふるい分け法は、ふるいを用いて粉末状医薬品の粒子径分布を測定する方法であり、本質的には2次元の大きさを評価する測定法である。本法により測定された粒子の大きさは、粒子が通過する最小のふるいの目開き寸法で表される。◇

本法は、粒子径分布による粉体や顆粒を対象とした分級法の一つである。織布ふるいを用いるときは、ふるい分けは基本的には粒子をそれらの中間的な粒子径寸法（例えば、幅）によって分級する。機械的ふるい分け法は、粒子の大多数が約75

μm より大きい場合に最も適している。比較的小さい粒子については軽量であるので、ふるい分け中に粒子が互いに付着したり、ふるいに付着する結果、ふるいを通過するはずの粒子が残留することになり、付着力や凝集力のような粒子間力に打ち勝つには不十分である。このような物質に対しては、エアージェット法又はソニック・シフター法のような振とう法がより適している。ふるい分け法は、測定法の妥当性が確認できれば、 $75\ \mu\text{m}$ より小さい中位径を持つ粉体や顆粒についても用いることができる。ふるい分け法は、通常、比較的粗大な粉体や顆粒を分級するための方法である。本法は、粉体や顆粒が粒子径のみに基づいて分級される場合には特に適切な方法であり、ほとんどの場合、乾燥状態で行う。

本法の問題点は、かなりの試料量（粉体や顆粒の密度及び試験用ふるいの直径にもよるが、通常は少なくとも $25\ \text{g}$ 以上）を必要とすること、及びふるいの目詰まりを起こす傾向のある油状又はその他の付着性粉体や顆粒の場合には、ふるい分けが難しいことである。ふるい開口部からの粒子の通過は、しばしば長さより最大幅又は厚みに依存するので、本法は基本的には粒子径を 2 次元的に評価することになる。

本法は、試料の全体的な粒子径分布を評価することを目的としている。したがって、特定の 1 個あるいは 2 個のふるいを通過する割合又は残留する割合を測定するものではない。

各条中に別に規定するもののほか、乾式ふるい分け法で述べられているような粒子径分布を評価する。ふるい分け終点に達しにくい場合（例えば、試料がふるいを容易に通過しない場合）、又はより細かい最小ふるい分け範囲（ $<75\ \mu\text{m}$ ）を用いる必要がある場合には、他の粒子径測定法の利用を十分に考慮しておかねばならない。

ふるい分けは、試料が吸湿又は脱湿しないような条件下で行わねばならない。ふるい分けを行う際の環境の相対湿度は、試料の吸湿又は脱湿を防止するために調節しておかねばならない。逆にこのような現象が起こらない場合には、ふるい分け法は、通常、環境湿度下で行う。特殊な試料に適用する特別な条件については、各条中にすべて詳細に記載しておく。

ふるい分け法の原理 試験用ふるいは平織による金属線の網目から構成されており、その網目開口部はほぼ正方形であると仮定され、底のない円筒形容器の底部に固定されている。基本的な測定法は、1 個のふるいの上により粗い網目のふるいを順次積み重ね、最上段のふるいの上に試験粉体を置く。

一群のふるいを所定時間振動させ、各ふるい上に残留する試料質量を正確に量る。試験結果は、各々のふるい径範囲内の粉体の質量基準百分率（%）として与えられる。単一の医薬品粉体の粒子径分布を評価するためのふるい分け法は、一般には粒子の少なくとも 80 % が $75\ \mu\text{m}$ より大きい場合に利用される。ふるい分け法によって粒子径分布を測定する際の粒子径パラメータは、粒子が通過する最も細かいふるいの目開きである。試験用ふるい

本試験に用いるふるいは、各条中で別に規定するもののほか、表 3.04-1 に示すものを用いる。

ふるいは、試料中の全粒子径範囲をカバーできるように選択する。ふるい目開き面積の $\sqrt{2}$ 級数を持つ一群のふるいを用いるのがよい。これらのふるいは、最も粗いふるいを最上段に、最も細かいふるいを最下段にして組み立てる。試験用ふるいの目開きの表示には、 μm 又は mm を用いる [注：メッシュ番

号は表中で換算する場合のみに用いる]。試験用ふるいはステンレス鋼製であるが、真鍮製又は他の適切な不活性の網であってもよい。

試験用ふるいの校正は ISO 3310-1² に準じて行う。ふるいは使用前に著しい歪みや破断がないか、また、特に網面と枠の接合部についても注意深く検査しておく。網目の平均目開きや目開きの変動を評価する場合には、目視で検査してもよい。また、 $212 \sim 850\ \mu\text{m}$ の範囲内にある試験用ふるいの有効目開きを評価する際には、標準ガラス球を代用してもよい。各条中で別に規定するもののほか、ふるいの校正は調整された室温と環境相対湿度下で行う。

ふるいの洗浄：理想的には、試験用ふるいはエアージェット又は液流中でのみ洗浄すべきである。もし、試料が網目に詰まったら、最終手段として注意深く緩やかなブラッシングを行ってもよい。

測定用試料 特定の物質について各条中に試料の質量が規定されていない場合には、試料のかさ密度に応じて $25 \sim 100\ \text{g}$ の試料を用い、直径 $200\ \text{mm}$ のふるいを用いる。直径 $76\ \text{mm}$ のふるいを用いる場合は、試料量は $200\ \text{mm}$ ふるいの場合の約 $1/7$ とする。正確に量った種々の質量の試料（例えば、 $25, 50, 100\ \text{g}$ ）を同一時間ふるい振とう機にかけ、試験的にふるい分けることによって、この試料に対する最適質量を決定する（注： $25\ \text{g}$ の試料と $50\ \text{g}$ の試料において同じような試験結果が得られ、 $100\ \text{g}$ の試料が最も細かいふるいを通過したときの質量百分率が $25\ \text{g}$ 及び $50\ \text{g}$ の場合に比べて低ければ、 $100\ \text{g}$ は多すぎる）、 $10 \sim 25\ \text{g}$ の試料しか用いることができない場合には、同じふるいリスト（表 3.04-1）に適合した直径のより小さい試験用ふるいを代用してもよいが、この場合には終点を決定し直さねばならない。場合によっては、更に小さい質量（例えば、 $5\ \text{g}$ 未満）について測定する必要があるかも知れない。かさ密度が小さい試料、又は主として直径が極めて近似している粒子からなる試料については、ふるいの過剰な目詰まりを避けるために、 $200\ \text{mm}$ ふるいでは試料の質量は $5\ \text{g}$ 未満でなければならないこともある。特殊なふるい分け法の妥当性を確認する際には、ふるいの目詰まりの問題に注意しておく。

試料が湿度変化によって著しい吸湿又は脱湿を起こしやすい場合には、試験は適度に湿度調整された環境下で行わねばならない。同様に、帯電することが知られている試料の場合には、このような帯電が分析に影響しないことを保証するために、注意深く観察しておかねばならない。この影響を最小限にするために、軽質無水ケイ酸又は酸化アルミニウムのような帯電防止剤を 0.5 % レベルで添加してもよい。上に述べたいずれの影響も除去できなければ、これに代わる粒子径測定法を選択しなければならない。

振とう法 いくつかの異なる機構に基づくふるい振とう装置が市販されており、これらのすべてがふるい分けに利用できる。しかしながら、試験中の個々の粒子に作用する力の種類や大きさが機構間で異なるため、振とう法が異なると、ふるい分けや終点の決定において異なる結果を生じる。機械的振とう法又は電磁振とう法、及び垂直方向の振動あるいは水平方向の円運動を行わせることができる方法、又は、クッピング又はクッピングと水平方向の円運動を並行させる方法などが利用できる。気流中の粒子の飛散を利用してもよい。測定結果には、

表 3.04-1 関係する範囲における標準ふるいの目開き寸法

ISO 公称ふるい番号		USP ふるい 番号	推奨される USP ふるい (microns)	EP ふるい 番号	日本薬局方 ふるい番号
主要寸法	補助寸法				
R 20/3	R 20 R 40/3				
11.20 mm	11.20 mm	11.20 mm		11200	
	10.00 mm	9.50 mm			
		9.00 mm			
8.00 mm	8.00 mm	8.00 mm			
	7.10 mm	6.70 mm			
		6.30 mm			
5.60 mm	5.60 mm	5.60 mm		5600	3.5
	5.00 mm	4.75 mm			4
		4.50 mm			
4.00 mm	4.00 mm	4.00 mm	5	4000	4.7
	3.55 mm	3.35 mm	6		5.5
		3.15 mm			
2.80 mm	2.80 mm	2.80 mm	7	2800	6.5
	2.50 mm	2.36 mm	8		7.5
		2.24 mm			
2.00 mm	2.00 mm	2.00 mm	10	2000	8.6
	1.80 mm	1.70 mm	12		10
		1.60 mm			
1.40 mm	1.40 mm	1.40 mm	14	1400	12
	1.25 mm	1.18 mm	16		14
		1.12 mm			
1.00 mm	1.00 mm	1.00 mm	18	1000	16
	900 μ m	850 μ m	20		18
		800 μ m			
710 μ m	710 μ m	710 μ m	25	710	22
	630 μ m	600 μ m	30		26
		560 μ m			
500 μ m	500 μ m	500 μ m	35	500	30
	450 μ m	425 μ m	40		36
		400 μ m			
355 μ m	355 μ m	355 μ m	45	355	42
	315 μ m	300 μ m	50		50
		280 μ m			
250 μ m	250 μ m	250 μ m	60	250	60
	224 μ m	212 μ m	70		70

		200 μm					
180 μm		180 μm	180 μm	80	180	180	83
		160 μm					
			150 μm	100			100
		140 μm					
125 μm		125 μm	125 μm	120	125	125	119
		112 μm					
			106 μm	140			140
		100 μm					
90 μm		90 μm	90 μm	170	90	90	166
		80 μm					
			75 μm	200			200
		71 μm					
63 μm		63 μm	63 μm	230	63	63	235
		56 μm					
			53 μm	270			282
		50 μm					
45 μm		45 μm	45 μm	325	45	45	330
		40 μm					
			38 μm			38	391

用いた振とう法と振とうに閉係するパラメータ（これらを変化させることができる場合には）を記載しておかねばならない。

終点の決定 ふるい分けは、いずれのふるいについても、ふるい上質量変化が直前の質量に対して 5 % (76 μm ふるいの場合には 10 %) 又は 0.1 g 以下となったとき、終了する。所定のふるい上の残留量が全試料質量の 5 % 未満となった場合には、終点は、そのふるい上の質量変化を直前の質量に対して 20 % 以下まで引き上げる。各条中に別に規定するものは、いずれかのふるい上に残留した試料量が全試料質量の 50 % を超えた場合には、ふるい分けを繰り返す。このふるいと、元の粗ふるいの中でこれより粗い目開きを持つふるいとの中間にあるふるい、すなわち、一群の粗ふるいから削除された ISO シリーズのふるいを追加する。

ふるい分け法

1) 機械的振とう法 乾式ふるい分け法 各ふるいの風袋質量を 0.1 g まで量る。質量を正確に量った試料を最上段のふるいの上に置き、ふたをする。粗ふるいを 5 分間振とうする。試料の損失がないように粗ふるいから各段のふるいを注意深くはずす。各ふるいの質量を再度量り、ふるい上の試料質量を測定する。同様にして、受け皿内の試料質量も測定する。ふるいを再度組み合わせ、更に 5 分間振とうする。先に述べたように各ふるいをはずし、質量を量る。これらの操作を終点規格に適合するまで繰り返す（終点の決定の項を参照）。ふるい分けを終了した後、全損失量を計算する。全損失量は元の試料質量の 5 % 以下である。

新たな試料を用いてふるい分けを繰り返すが、このときは先に用いた繰り返し回数に対応する合計時間を 1 回のふるい分け時間とする。このふるい分け時間が終点決定のための必要条件に適合していることを確認する。一つの試料についてこの終点の妥当性が確認されている場合は、粒子径分布が正常な変動範囲内にあれば、以後のふるい分けには一つの固定したふるい分け時間を用いてもよい。

いずれかのふるいの上に残留している粒子が単一粒子ではな

く凝集体であり、機械的乾式ふるい分け法を用いても良好な再現性が期待できない場合には、他の粒子径測定法を用いる。

2) 気流中飛散法 エアー・ジェット法及びソニック・シフター法 気流を用いた種々の市販装置がふるい分けに利用されている。1 回の時間で 1 個のふるいを用いるシステムをエアー・ジェット法という。本法は乾式ふるい分け法において述べたのと同様に一般的なふるい分け法を用いているが、典型的な振とう機構の代わりに標準化されたエアー・ジェットを用いている。本法で粒子径分布を得るためには、最初に最も細かいふるいから始め、個々のふるいごとに一連の分析をする必要がある。エアー・ジェット法では、しばしば通常の乾式ふるい分け法で用いられているものより細かい試験用ふるいを用いる。本法は、ふるい上残分又はふるい下残分のみを必要とする場合には、より適している。

ソニック・シフター法では粗ふるいを用いる。この場合、試料は所定のパルス数（回/分）で試料を持ち上げ、その後再びふるいの網目までがすように垂直方向に振動する空気カラム内に運ばれる。ソニック・シフター法を用いる場合は、試料量を 5 g まで低減する必要がある。

エアー・ジェット法とソニック・シフター法は、機械的ふるい分け法では意味のある分析結果が得られない粉体や顆粒について有用である。これらの方法は、気流中に粉体を適切に分散できるかどうかということに大きく依存している。粒子の付着傾向がより強い場合や、特に帯電傾向を持つ試料の場合には、ふるい分け範囲の下限付近 (<75 μm) で本法を用いると、良好な分散性を達成するのは困難である。上記の理由により、終点の決定は特に重大である。また、ふるい上の試料が単一粒子であり、凝集体を形成していないことを確認しておくことは極めて重要である。

結果の解析

個々のふるい上及び受け皿中に残留している試料の質量に加えて、試験記録には全試料質量、全ふるい分け時間、正確なふるい分け法及び変数パラメータに関する値を記載しておかねば

ならない。試験結果は積算質量基準分布に変換すると便利である。また、分布を積算ふるい下質量基準で表示するのが望ましい場合には、用いたふるい範囲に全試料が通過するふるいを含めておく。いずれかの試験ふるいについて、ふるい分け中にふるい上に残留している試料の凝集体の生成が確認された場合は、ふるい分け法は意味がない。

- 1) 粒子径測定、試料量及びデータ解析に関するその他の情報は、例えば、ISO 9276 において利用できる。
- 2) International Organization for Standardization (ISO) Specification ISO 3310-1 : Test sieves-Technical requirements and testing